

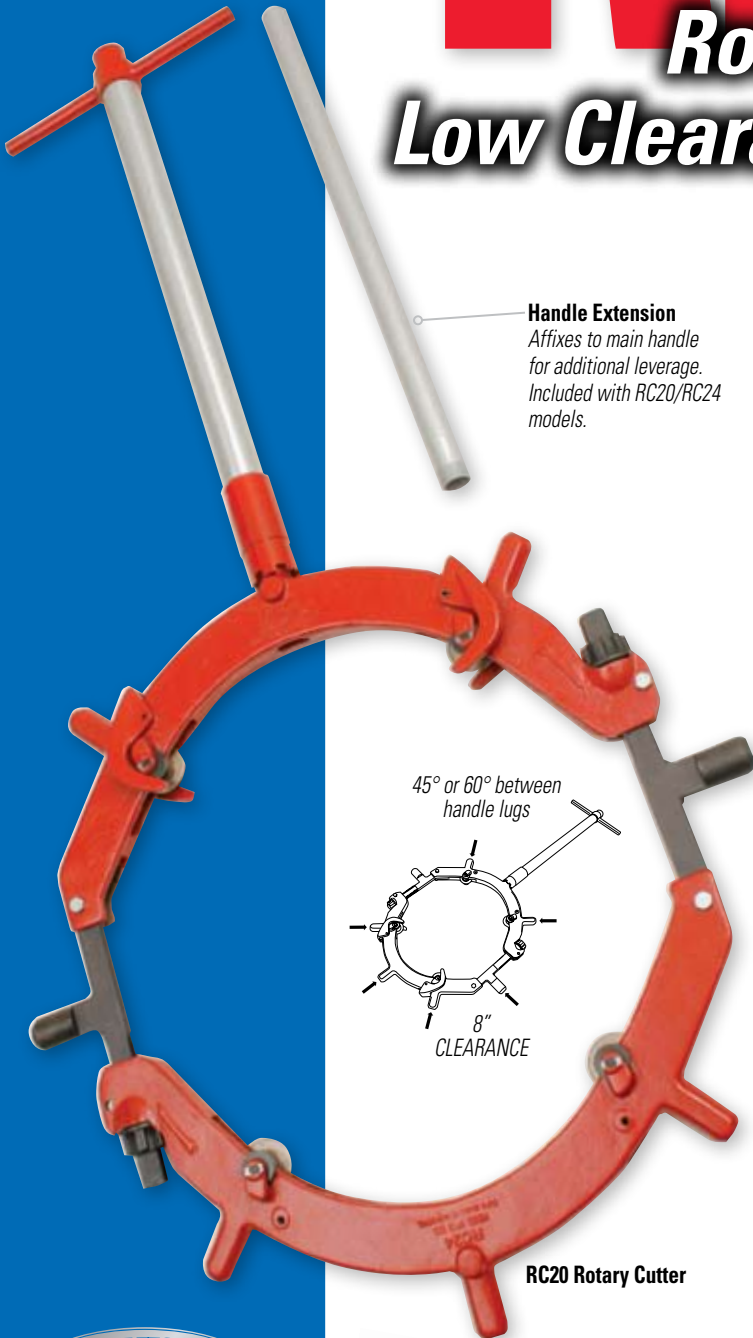
✓ WHY REED?

Rotary™ cutters are a Reed invention! Reed Rotary™ cutters cut pipe safely, easily, quickly, and at a low cost. Provides a square cut and can be used anywhere – in the ditch, underwater, in explosive atmospheres (cold cut), in noise-free zones, over head, in racks of pipes, etc. Reed Rotary™ cutters last for decades.

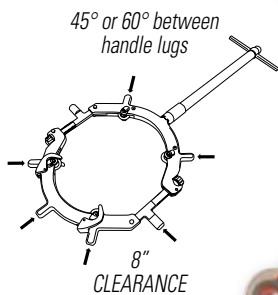


REED

Rotary™ Cutters & Low Clearance Rotary™ Cutters



Handle Extension
 Affixes to main handle for additional leverage. Included with RC20/RC24 models.



RC20 Rotary Cutter

Cold cut large diameter steel, most stainless steel, ductile, and cast iron pipe in close quarters. The low profile design of the LCRC models needs only 4" clearance for up to 16" pipe diameter; only 8" clearance for the **RC20** and **RC24**; and just 11.8" clearance for the **RC30** and **RC36** large diameter pipe cutters. Each cutter is supplied with a slip-on handle that is used to turn the cutter around the pipe in one direction. The handle is also used to tighten the cutter every 1/2 revolution.

Best manual cutters for ductile iron. With good leverage from long handle, pipe snaps off squarely before wheel penetrates halfway through pipe. Cutters have heavy-duty frames.

All sizes use the same cutter wheels: either RCS8-36 for steel and RC18-30 for ductile and cast iron. RCX wheels cut up to 25/32" wall thickness for steel pipe.

For heavy wall steel and stainless steel, order RCX cutter wheels (03550) and eight RC8-30XR rollers (93222).

ROTARY CUTTERS

Catalog No.	Item Code	Pipe Capacity			Length		Weight	
		Steel**	Cast Iron & Ductile	Actual Ø mm	in	mm	lbs	kg
		Inches-Nom.	Inches-Nom.					
RC20S*	03240	20 - 22		476 - 572	106	2680	89	40.5
RC20I*	03242		18 - 20	476 - 572	106	2680	89	40.5
RC24S*	03250	24 - 26		584 - 660	111	2807	107	48.6
RC24I*	03252		22 - 24	584 - 660	111	2807	107	48.6
RC30S*†	03260	28 - 34		698 - 864	96	2438	283	128.6
RC30I*†	03262		30	698 - 864	96	2438	283	128.6
RC36S*†	03264	32 - 36		813 - 915	96	2438	295	134.1

*EXCLUSIVE

† CONVERSION KITS

Catalog No.	Item Code	Converts
RC30CONV	03267	RC36 to RC30
RC36CONV	03268	RC30 to RC36



CLEARANCES

Cat. No.	in	mm
RC20	8.0	204
RC24	8.0	204
RC30	11.8	300
RC36	11.8	300





REED

Rotary™ Cutters & Low Clearance Rotary™ Cutters

For heavy wall steel and stainless steel, order RCX cutter wheels (03550) and eight RC8-30XR rollers (93222).

LOW CLEARANCE ROTARY CUTTERS

Catalog No.	Item Code	Pipe Capacity			Length		Weight	
		Steel**	Cast Iron & Ductile	Actual Ø mm	in	mm	lbs	kg
		Inches-Nom.	Inches-Nom.					
LCRC8S*	03309	6 - 8		159 - 246	58	1473	41	18.6
LCRC8I*	03308		6 - 8	159 - 246	58	1473	41	18.6
LCRC12S*	03313	10 - 14		266 - 358	61	1549	50	22.7
LCRC12I*	03312		10 - 12	266 - 358	61	1549	50	22.7
LCRC16S*	03317	16 - 18		368 - 462	66	1664	60	27.3
LCRC16I*	03316		14 - 16	368 - 462	66	1664	60	27.3

*EXCLUSIVE

NOTE: S= includes cutter wheels for steel; I= for cast and ductile iron. Wheels for same size cutters are interchangeable. Recommend only Reed cutter wheels be used with these cutters. Reed wheels are made from high shock-resistant tool steel on computerized (CNC) machines and then precisely heat-treated. This allows for a thinner profile yet stronger blade, so they:

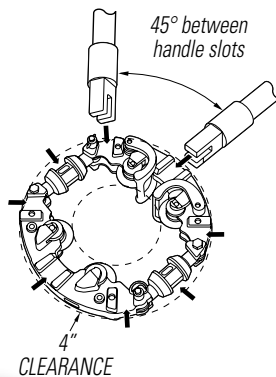
- Cut easier and faster, especially stainless steel and ductile pipe
- Last much longer
- Provide the best value

LCRC ACCESSORY

To improve use in awkward locations, Reed now offers an angled handle option that allows the user to turn the LCRC cutter from the side of a ditch, using one's body weight, rather than having to turn the cutter from on top.



Catalog No.	Item Code	Converts
★ BAHANDLE ★ NEW	93177	Angled Handle option for use with LCRC (Low Clearance Rotary Cutters)



Two Adjusting Nuts to Tighten Cutter

LCRC12
Low Clearance
Rotary Cutter

TRAINING
AVAILABLE

EXCLUSIVE
TOOL

www.reedmfgco.com
reedsales@reedmfgco.com



PIPE TOOLS & VISES
SINCE 1896

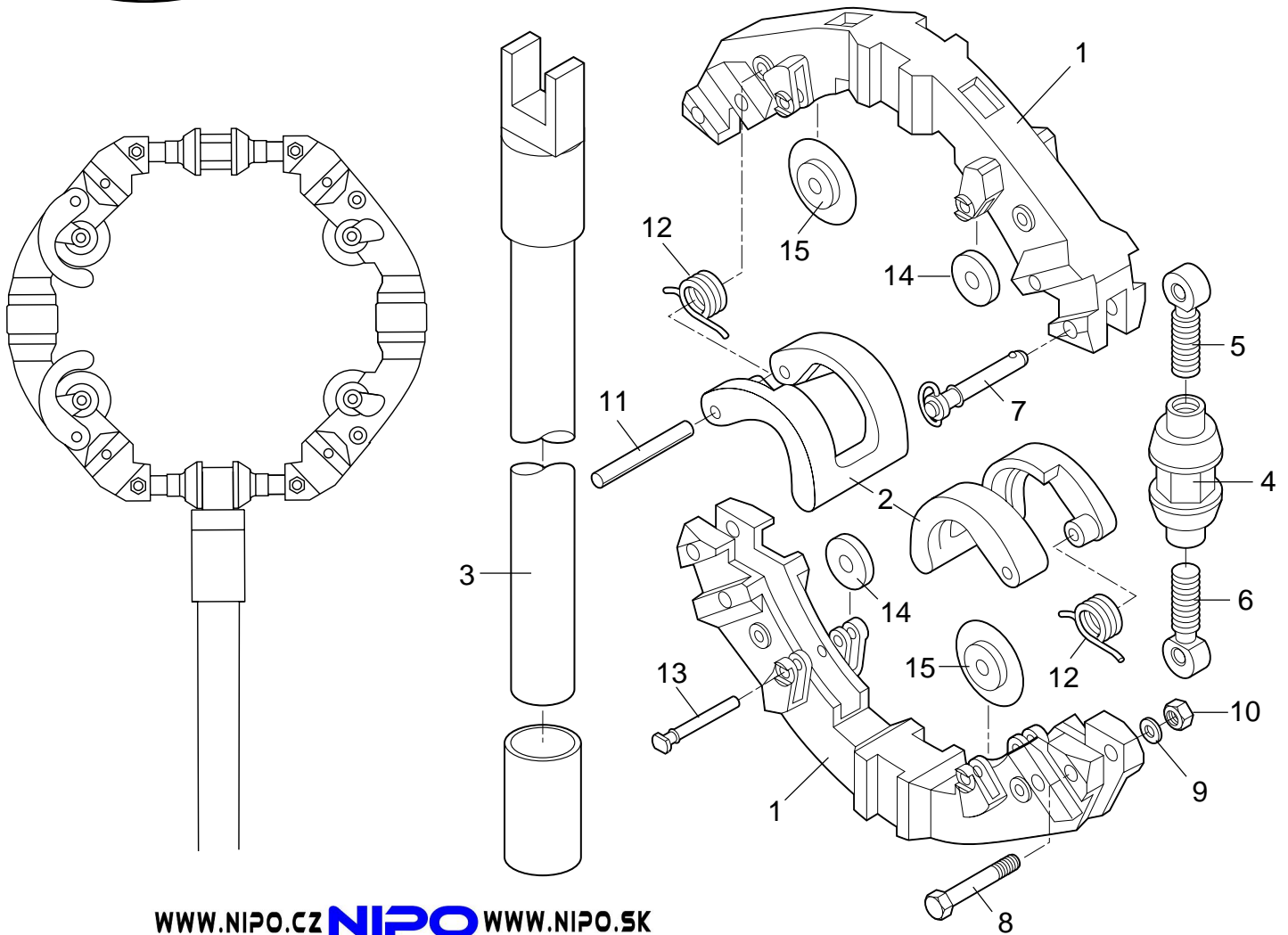
Reed Manufacturing Company

1425 West 8th Street Erie, PA 16502 USA
800-666-3691 or 814-452-3691
Fax 800-456-1697 or 814-455-1697



Low Clearance Rotary™ Cutters

Replacement Parts



WWW.NIPO.CZ **NIPO** WWW.NIPO.SK

Parts List

Ref. No.	Description	LCRC8		LCRC12		LCRC16	
		Item Code	Qty. Used	Item Code	Qty. Used	Item Code	Qty. Used
1	Yoke	93094	2	93095	2	93096	2
2	Guide	93165	2	93166	2	93166	2
3	Handle Assembly	93176	1	93176	1	93176	1
4	Turnbuckle	93169	2	93169	2	93169	2
5	Rod End Right Hand	93172	2	93172	2	93172	2
6	Rod End Left Hand	93173	2	93173	2	93173	2
7	Release Pin	40147	2	40147	2	40147	2
8	Cap Screw	30091	2	30091	2	30091	2
9	Lock Washer	30093	2	30093	2	30093	2
10	Hex Nut	30150	2	30150	2	30150	2
11	Guide Pin	30090	2	30090	2	30090	2
12	Guide Spring	40321	2	40151	2	40340	2
13	Wheel Pin Assembly	93200	4	93200	4	93200	4
14	Roller	93220	8	93220	8	93220	8
15	Cutter Wheel	See cutter wheel reference chart in catalog or price list.					

Reed Manufacturing Co.
1425 West 8th St.
Erie, PA 16502 USA



Phone: 800-666-3691 or 814-452-3691
Fax: 800-456-1697 or 814-455-1697

RP-199-45